

IMPACT



▶ 200/120/60 HEIGHT WALL PROTECTION RAILS

Applications

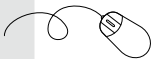
This horizontal protection system features contoured design to bring you the perfect combination of impact resistance and sheer good looks. Fitted at one or two levels, it protects walls exposed to intensive wheeled traffic in corridors, entrances and storage areas (hospitals, clinics, retirement homes, laboratories, hotels, restaurants, schools, department stores).

Specification

- Description: curved wall protection system made of smooth and antibacterial PVC (Impact 200/120 or 60 as manufactured by Gerflor). PVC rails project 30 mm, are 200/120 or 60 mm deep and snap-fix to aluminium brackets or continuous aluminium core (optional). 3 mm thick, Bs2d0 fire-rated and solid colour, the PVC rails provide a smooth surface finish with decorative grooves. A protective film is specified to minimise cleaning before acceptance. Finish is provided by end pieces, external and internal 90° smooth PVC angle pieces and aluminium joint blocks.
- Environment: No heavy metals and no substance potentially subjected to any REACH restriction are

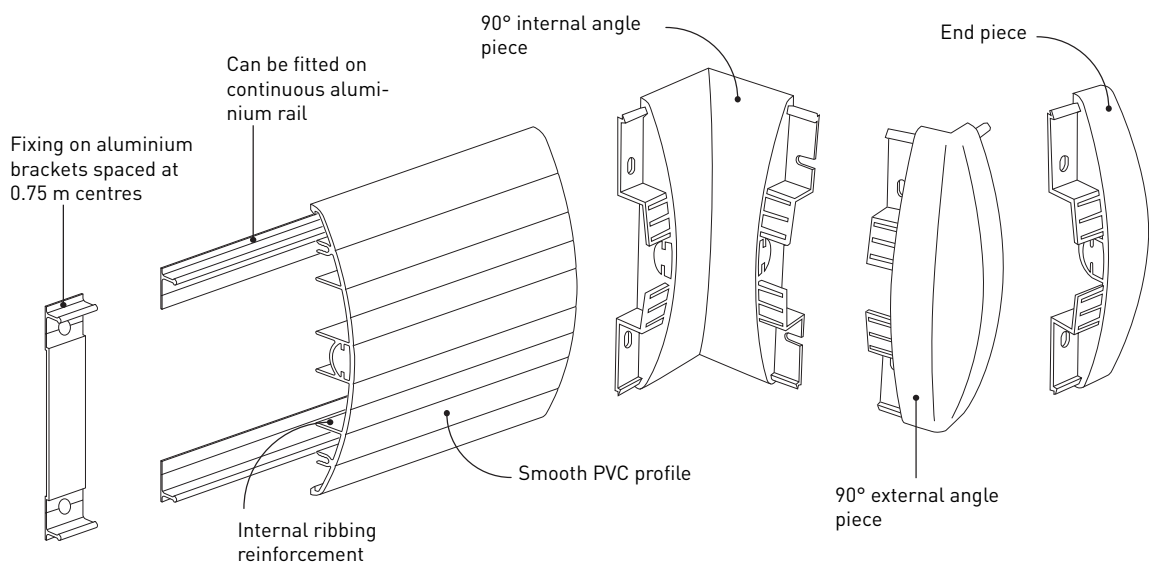
used in its manufacture, nor PBT/PBA. The calcium-zinc thermal stabilisation process is used. The emission level of volatile substance in inside air has been tested according to ISO 16000-6 and is very low (A+) according to the french regulation (23 march 2011 nr 2011-321 Decree and 19 April 2011 Order). 100% of the product are recyclable.

- Colour: selected by architects from manufacturer's standard range.
- Installation method: recommended height of protection rail centreline 0.80 m above floor level for mid-level wall protection or above plinth for low level wall protection. Snap-fixes to aluminium brackets spaced at 0.75 m centres or continuous aluminium core (optional).



Specification and technical drawings can be downloaded from our website www.gerflor.com

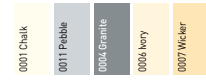
NB: The end piece serves as the first clip.



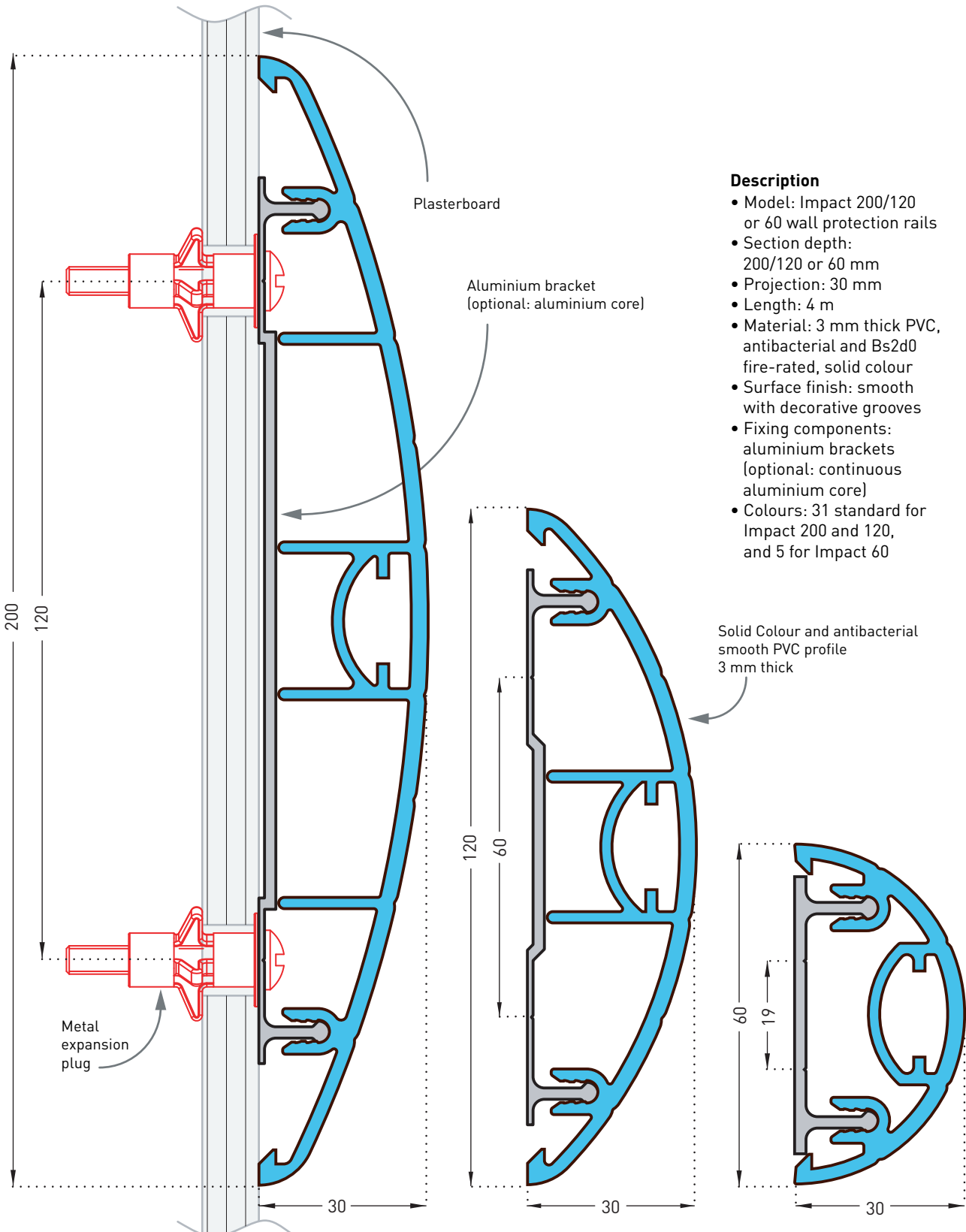
Impact 200/120
31 colours



Impact 60
5 colours*



*and 26 colours on request with a minimum order quantity



Description

- Model: Impact 200/120 or 60 wall protection rails
- Section depth: 200/120 or 60 mm
- Projection: 30 mm
- Length: 4 m
- Material: 3 mm thick PVC, antibacterial and Bs2d0 fire-rated, solid colour
- Surface finish: smooth with decorative grooves
- Fixing components: aluminium brackets (optional: continuous aluminium core)
- Colours: 31 standard for Impact 200 and 120, and 5 for Impact 60