

**New finish**

## DECOCHOC



### ▶ DECORATIVE PROTECTION PANEL

#### Applications

Total protection for large walls and surfaces. Ideally suited to operating theatres and white rooms, these panels can also be used in rooms and corridors (healthcare institutions, schools, etc).

#### New!

A new subtle and matt Decochoc finish for a muted, sober appearance with all the usual levels of resistance to impact, scratches, wear and chemical agents.

#### Description

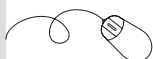
- Model: Decochoc panels
- Dimensions: 3 m x 1.30 m
- Cut to size according to requirements
- Bends according to requirements
- Thickness: 2 mm
- Material: Class 0 fire-rated PVC, solid colour
- Surface finish: lightly textured
- Fixing: Gerflor acrylic glue. Decochoc panels can be installed with either silicone joints or PVC weld joints. Please consult us for colour availability.
- Colours: 30 standard

#### Specification

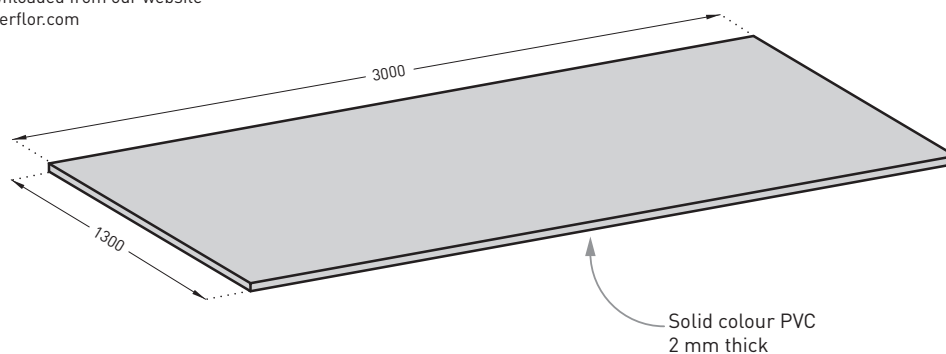
- Description: protection and covering panel (Decochoc as manufactured by Gerflor) from rigid PVC achieving Class 0 fire-rating with solid colour and textured surface. 3 m long, 1.30 m wide, 2 mm thick. No heavy metals are to be used in its manufacture and the calcium-zinc thermal stabilisation process is to be used.

- Colour: selected by architects from manufacturer's standard range.

- Installation sequence: glue as per manufacturer's instructions.



Specification and technical drawings can be downloaded from our website [www.gerflor.com](http://www.gerflor.com)



#### New accessories for an impeccable finish:

- Horizontal and vertical joints in anodised aluminium
- Silicone joints – colour coordinated with the panels
- Welding rods – colour coordinated with the panels

To find the colours available for each product, please see the summary table for the range p.328 of this Guide.